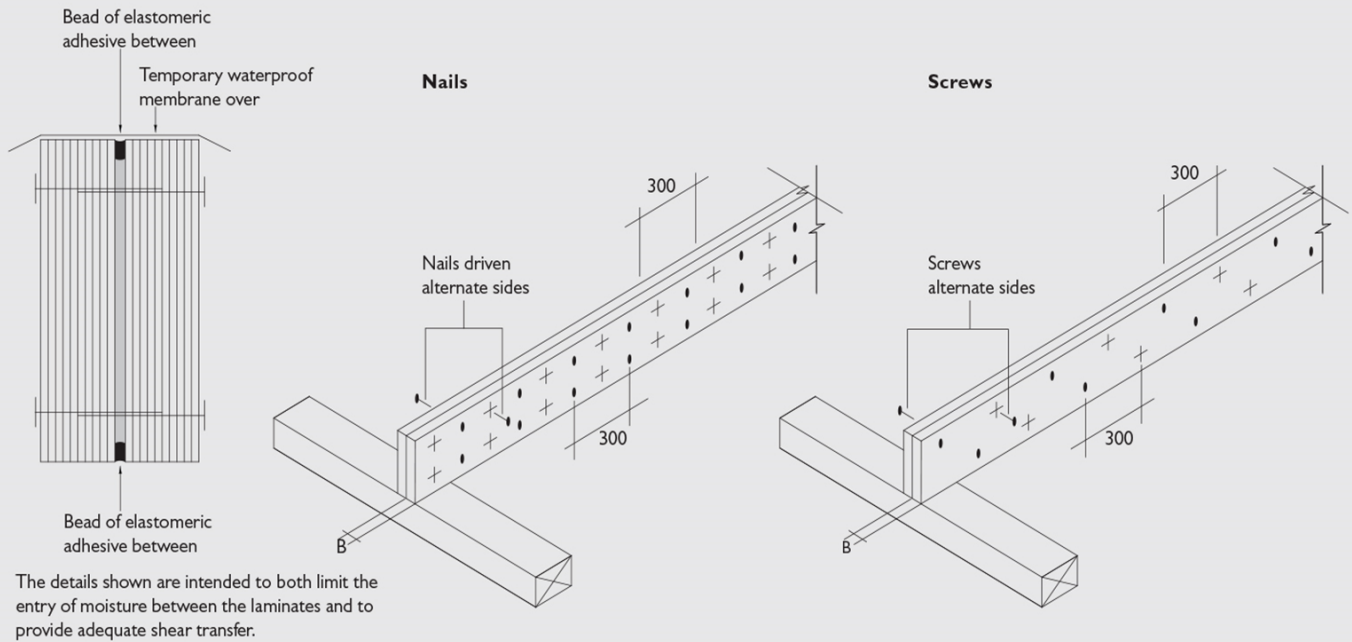


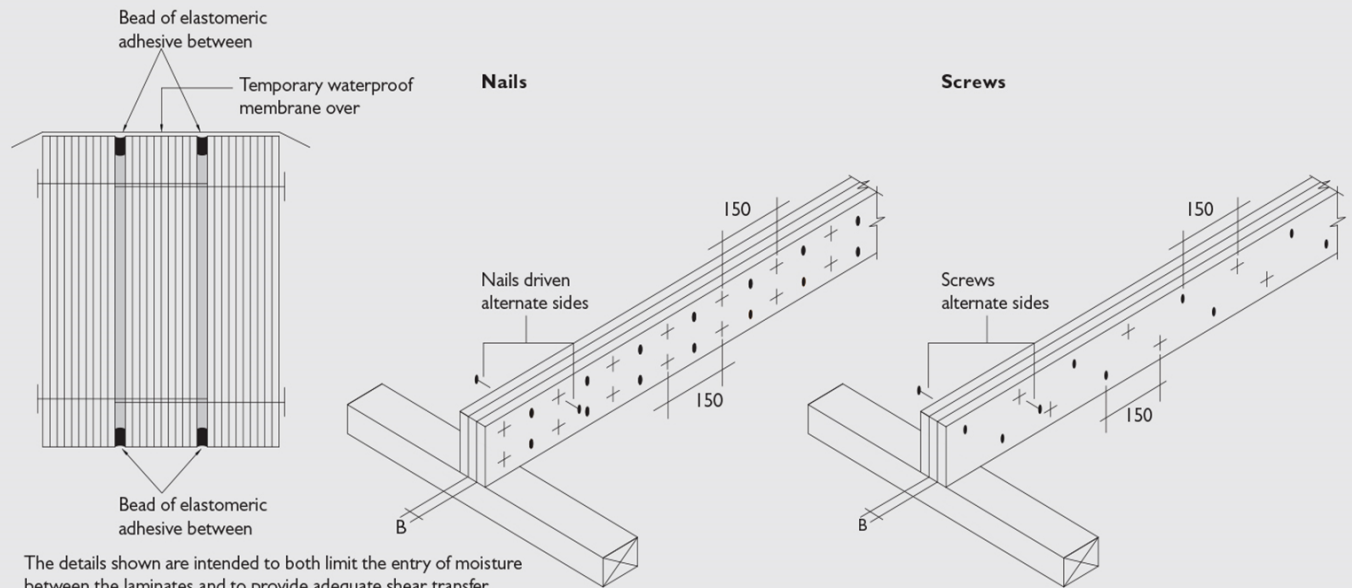
Detail H1: Vertical Lamination - Two Pieces



The details shown are intended to both limit the entry of moisture between the laminates and to provide adequate shear transfer.

Section Size 'B'	Minimum Nail Diameter	Minimum Nail Length	Minimum Screw gauge	Minimum Screw Length
35	3.06 mm	75 mm	-	-
45	3.30 mm	90 mm	14 g	75 mm
63	3.30 mm	100 mm	14 g	100 mm
90	-	-	14 g	150 mm

Detail H2: Vertical Lamination - Three Pieces



The details shown are intended to both limit the entry of moisture between the laminates and to provide adequate shear transfer.

Section Size 'B'	Minimum Nail Diameter	Minimum Nail Length	Minimum Screw gauge	Minimum Screw Length
35	3.06 mm	75 mm	-	-
45	3.30 mm	90 mm	14 g	75 mm
63	3.30 mm	100 mm	14 g	100 mm
90	-	-	14 g	150 mm